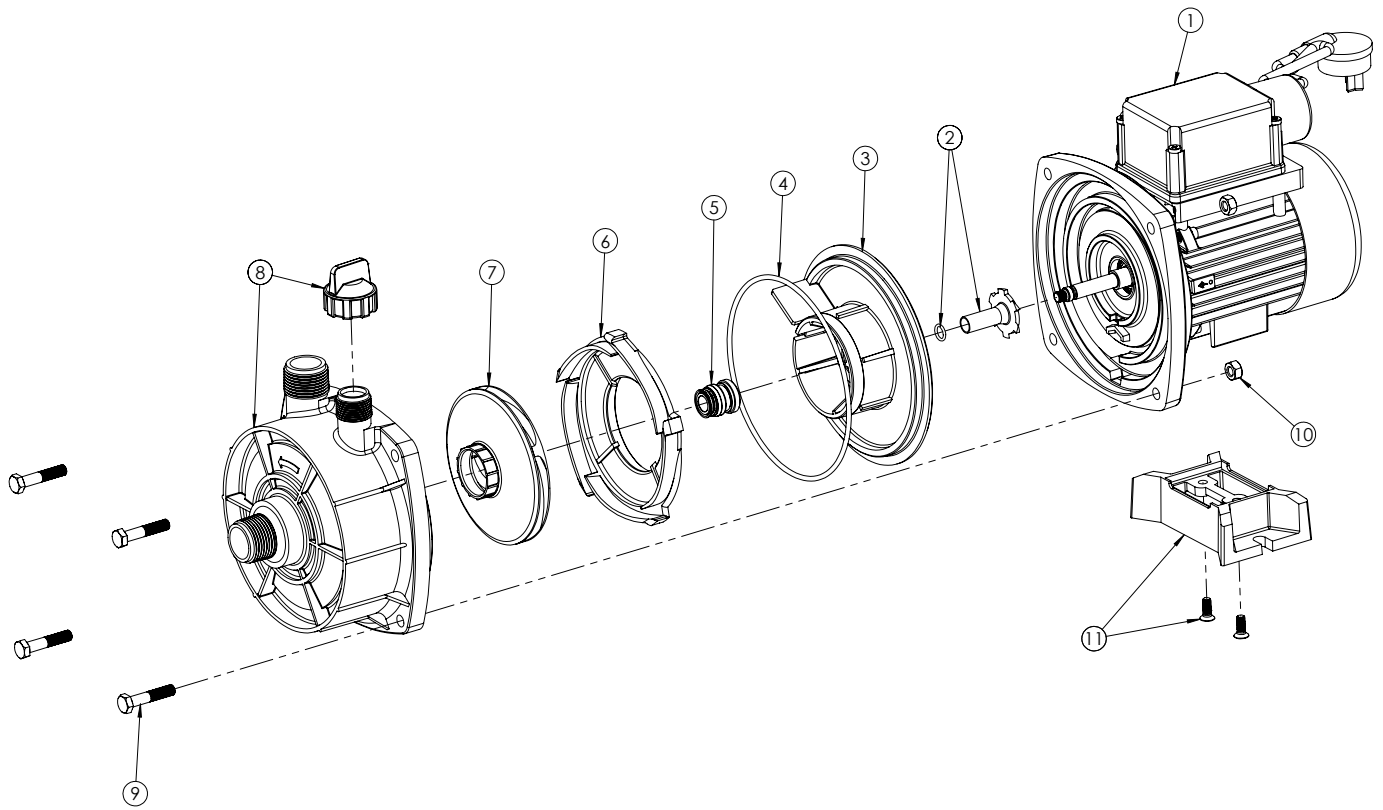


413 / 414 / 415 / 416 & 417 Models

WATER TRANSFER



PARTS LIST TABLE

400 Series Parts

Model	413	414	415	416	417
Part number	341300	341400	341500	341600	341700

REF NO.	PART DESCRIPTION	COMPONENT DESCRIPTION	PART NO.		PART NO.		PART NO.		PART NO.		PART NO.	
1	MOTOR	MOTOR	800738	1PC	800738	1PC	800738	1PC	800738	1PC	800442	1PC
2	SHAFT SLEEVE O-RING KIT	SHAFT SLEEVE	800894K	1PC	800894K	1PC	800894K	1PC	800894K	1PC	800894K	1PC
		O-RING SHAFT SLEEVE		1PC		1PC		1PC		1PC		
3	BAFFLE	BAFFLE	302060K	1PC	302060K	1PC	302060K	1PC	302060K	1PC	302060K	1PC
4	CASING O-RING	CASING O-RING	702206K	1PC	702206K	1PC	702206K	1PC	702206K	1PC	702206K	1PC
5	MECHANICAL SEAL KIT	SHAFT SLEEVE	800582K	1PC	800582K	1PC	800582K	1PC	800582K	1PC	800582K	1PC
		O-RING SHAFT SLEEVE		1PC		1PC		1PC		1PC		
		CASING O-RING		1PC		1PC		1PC		1PC		
		MECHANICAL SEAL		1PC		1PC		1PC		1PC		
N/S	VIT/CARBON SEAL KIT	AS ABOVE INC. VITON SEAL	800865K	1PC	800865K	1PC	800865K	1PC	800865K	1PC	800865K	1PC
6	DIFFUSER	DIFFUSER	302075K	1PC	302075K	1PC	302190K	1PC	302190K	1PC	304581	1PC
7	IMPELLER	IMPELLER	504593K	1PC	504593K	1PC	504823K	1PC	509263	1PC	509153	1PC
8	CASING & CAP ASSEMBLY	CASING & CAP ASSEMBLY	512646	1PC	512647	1PC	512647	1PC	512646	1PC	512646	1PC
9	CASING SCREWS (PK 10)	CASING SCREWS (PK 10)	800399	4PC	800399	4PC	800399	4PC	800399	4PC	800399	4PC
10	CASING NUTS (PK 12)	CASING NUTS (PK 12)	800163K	4PC	800163K	4PC	800163K	4PC	800163K	4PC	800163K	4PC
11	BASE & SCREW KIT	BASE & SCREW KIT	800532	1PC	800532	1PC	800532	1PC	800532	1PC	800532	1PC