

HEBEFIX

ABOVE-FLOOR TANK

- Disposal of dirty water from hand basin, shower, bathtub, washing machine
- Condensate from condensing boilers
- Backwash water from softeners
- Easy opening of the cover without dismantling a siphon or an inlet pipe
- Swing-type check valve and activated carbon filter are in scope of supply
- Wall or floor installation



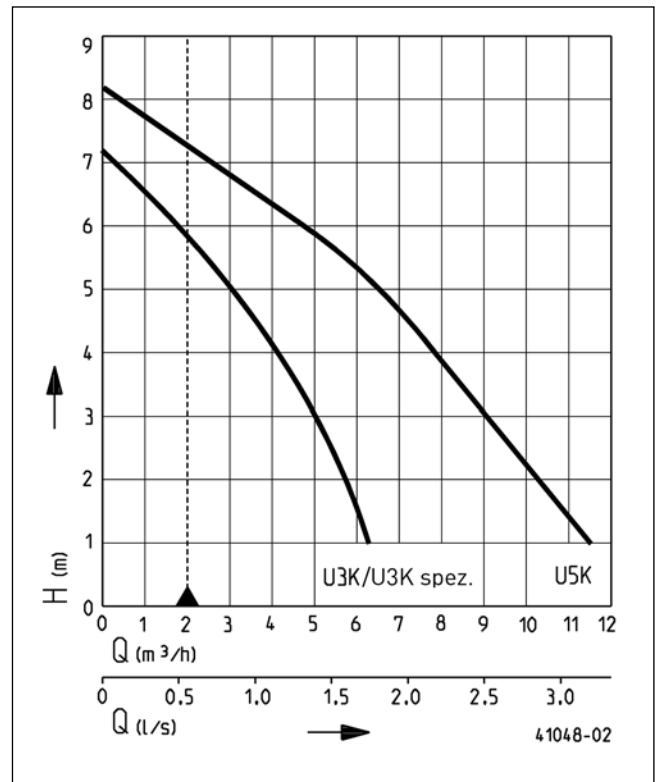
DESCRIPTION

The Hebefix above-floor tank is the ideal solution where there is no wastewater pipe available to dispose of dirty water from a bathroom (excl. toilet waste), laundry or kitchen. Combined with Jung Pumpen U3KS, U3KS special or a U5KS greywater can be collected and disposed of easily and efficiently.

The drainage pump intended for the Hebefix is connected to the prepared pipe connection and automatically pumps the incoming grey water to the next disposal pipe. The tank has four inlet sleeves. This means that a drain can be created at any desired location, even below the backwater level, without costly works. By means of the lower additional inlets on both sides (H=100 mm) and a special float for lower switching heights (U3 only), a backflow-proof shower can be connected.

The supplied activated carbon filter reduces odours.

PERFORMANCE



We reserve the right to change specifications without notice. Pump performance is subject to ISO 9906 tolerances

This data is represented in the performance curve as a limit of application.

HEBEFIX

ABOVE-FLOOR TANK

SCOPE OF SUPPLY

Plastic tank (ABS) without pump with integrated connection hose, clamps, swing-type check valve R32, activated carbon filter, rubber feet and wall attachment parts.

MECHANICAL DATA

Tank capacity	26 l	Weight	3.2 kg
---------------	------	--------	--------

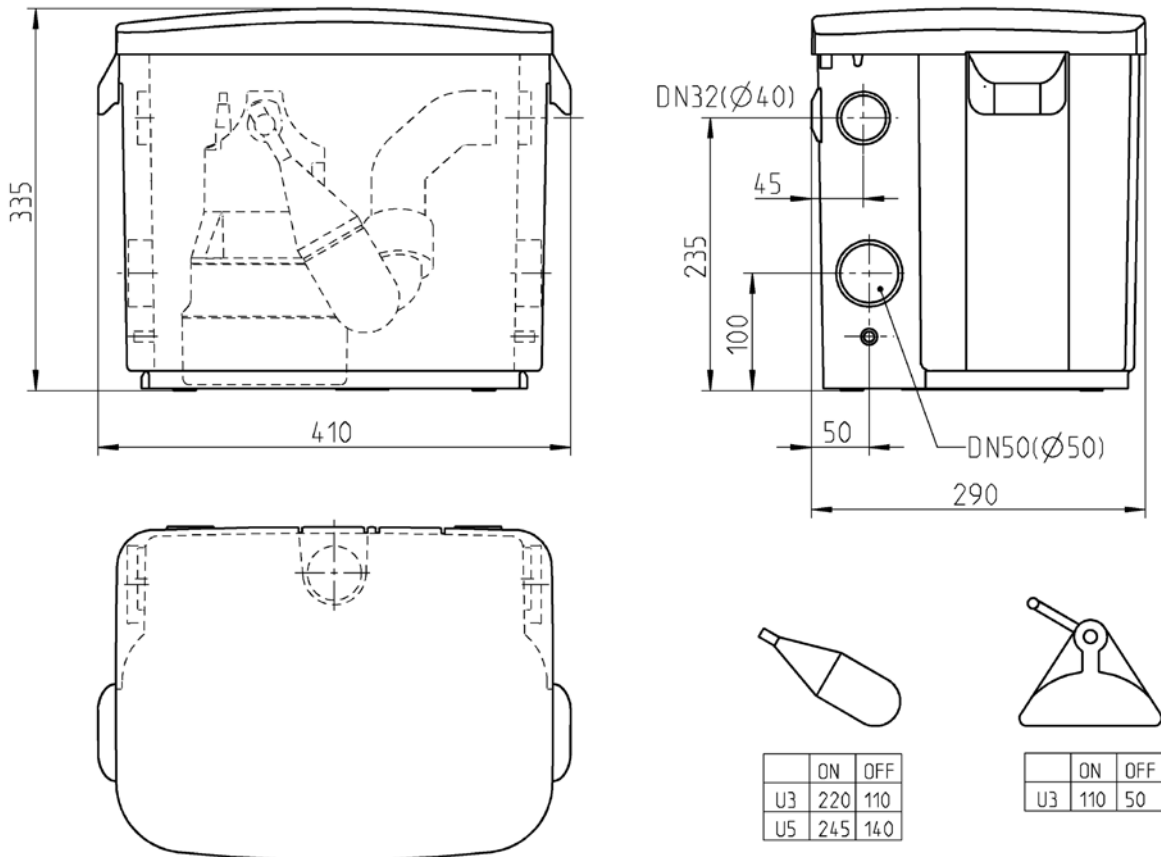
HEBEFIX

Type	Code No.
Hebefix	JP50210

POSSIBLE PUMPS

Hebefix	
U3KS	JP50024
U3KS special	JP50023
U5KS	JP44091

Dimensions (mm)

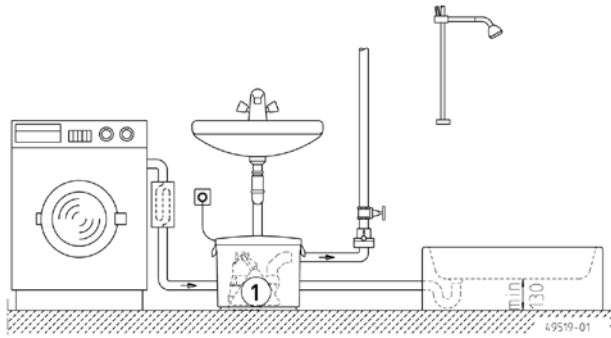


49518-01

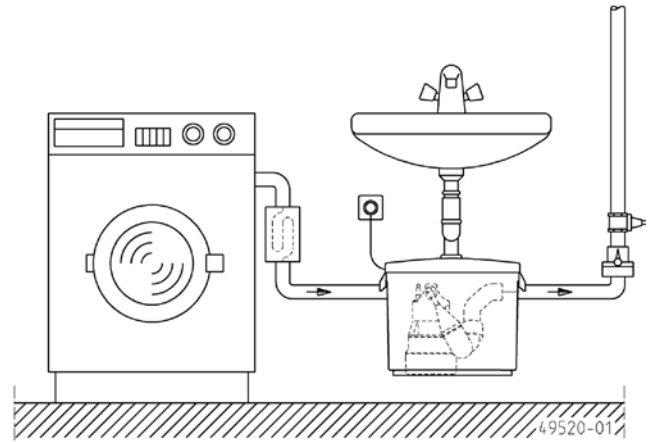
HEBEFIX

ABOVE-FLOOR TANK

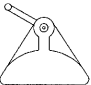
Example of installation Hebefix (floor mounted)



Hebefix (wall mounted)



MECHANICAL ACCESSORY

		Code No.
	1 Special float	for lower switching points
		JP44795