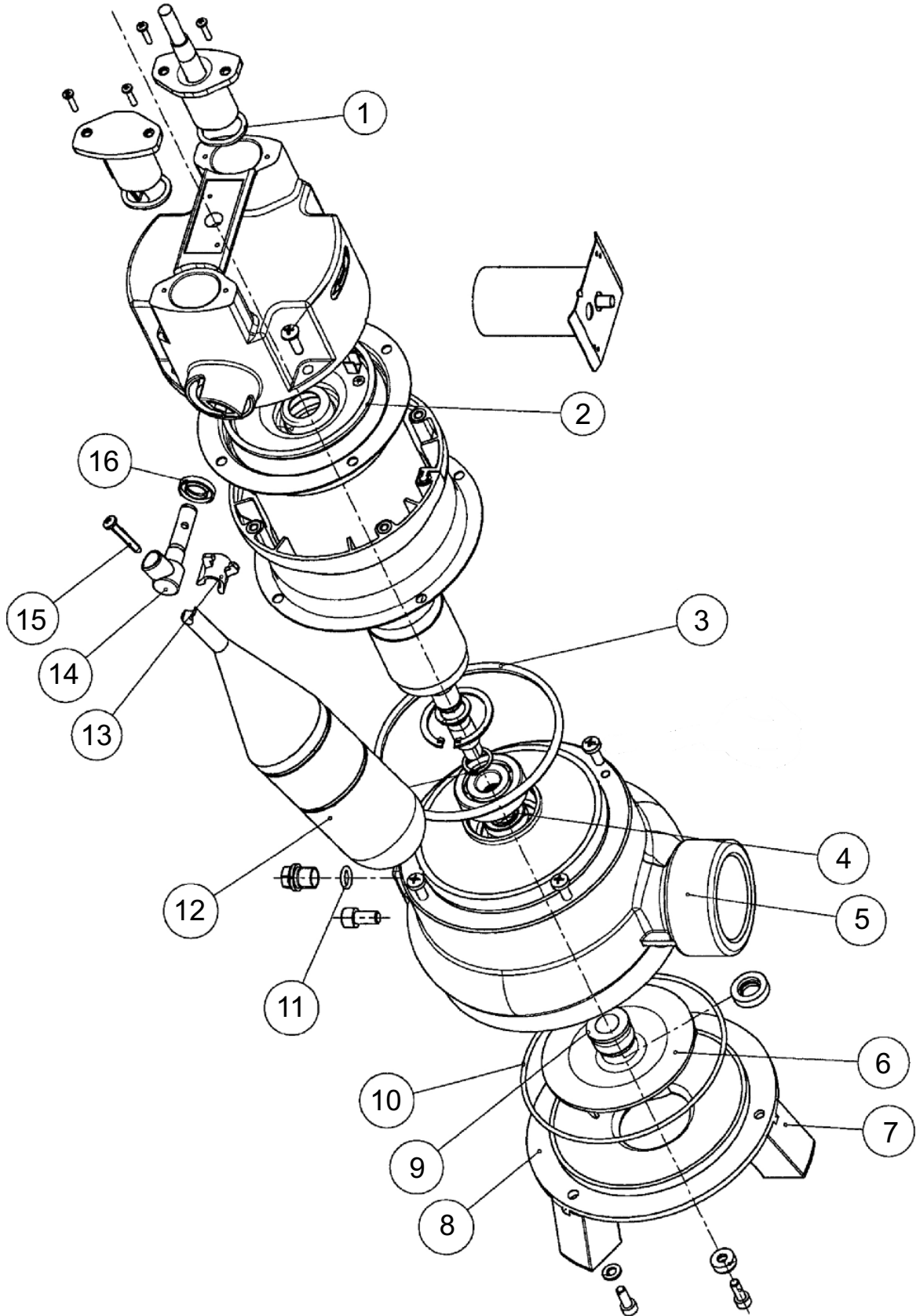


Jung US 75 / 105 / 155 ES Models



SUBMERSIBLE

Drawings are indicative only, product appearance may change slightly.

PARTS LIST TABLE

Jung US 75 / 105 / 155 ES Models

PUMP	US75ES	US105ES	US155ES
PART NO.	JP44089	JP44177	JP44197

REF NO.	COMPONENT DESCRIPTION	PART NO.		PART NO.		PART NO.	
1	O-RING 25 X 4	SEAL KIT	2PC	SEAL KIT	2PC	SEAL KIT	2PC
2	O-RING 98 X 5	SEAL KIT	1PC	SEAL KIT	1PC	SEAL KIT	1PC
3	O-RING 120,7 X 5,33	SEAL KIT	1PC	SEAL KIT	1PC	SEAL KIT	1PC
4	ROTARY SHAFT SEAL DIN 3760 BA DUO	SEAL KIT	1PC	SEAL KIT	1PC	SEAL KIT	1PC
5	VOLUTE CASING US 75...155	JP40352	1PC	JP40352	1PC	JP40352	1PC
6	IMPELLER US/UB 62 + 73	JP23856	1PC	JP25153	1PC	JP40796	1PC
7	PEDESTAL US / UB 73 253	JP23804	1PC	JP23804	1PC	JP23804	1PC
8	COVER FOR SPIRAL HOUSING	JP40251	1PC	JP40251	1PC	JP40251	1PC
9	MECH. SEAL 16X18,8 Q1/Q1	SEAL KIT	1PC	SEAL KIT	1PC	SEAL KIT	1PC
10	O-RING 135 X 3	SEAL KIT	1PC	SEAL KIT	1PC	SEAL KIT	1PC
11	O-RING 10 X 2,5	SEAL KIT	1PC	SEAL KIT	1PC	SEAL KIT	1PC
12	FLOAT LONG VERSION ASYMMETRICAL	JP25439	1PC	JP25439	1PC	JP25439	1PC
13	CONTROL CAM US62...103+UAK08/2M	JP16293	1PC	JP16293	1PC	JP16293	1PC
14	SELECTOR SHAFT US 62 ..103 ES/DS	JP24929	1PC	JP24929	1PC	JP24929	1PC
15	TAPPING SCREW ST4,8X32 TORX T20	JP16327	1PC	JP16327	1PC	JP16327	1PC
16	ROTARY SHAFT SEAL A12X24X4,5	SEAL KIT	1PC	SEAL KIT	1PC	SEAL KIT	1PC
NS	MICRO SWITCH WITH LEADS FOR U3 AND US	JP08219	1PC	JP08219	1PC	JP08219	1PC
SEAL KIT	SEAL KIT US 62...103	JP25629	1PC	JP25629	1PC	JP25629	1PC
	[KITS INC. 1, 2, 3, 4, 9, 10, 11 & 16]						

SUBMERSIBLE