

JS SERIES

STAINLESS STEEL SELF-PRIMING
JET PUMPS



PUMP MADE IN ITALY



KEY FEATURES

- Stainless Steel Casing
- Precision-moulded internals
- Robust stainless steel base
- Self-priming with up to 7.6m suction lift
- JSP models offer loss of prime protection
- Pump made in Italy with highest quality



* Not applicable to JSK models

Introducing

 **PENTAIR ONGA**

JS SERIES

STAINLESS STEEL SELF-PRIMING JET PUMPS

The new JS range of household pressure pumps feature a strong stainless steel pump casings with precision moulded jet, venturi and impeller for efficiency and great performance under high suction lift applications.

The new Italian made JS series is now mounted on a stable, high quality stainless steel base for protection from corrosion. With 3 models in the range, the JS is also available with a Presscontrol or Pressure Switch and Tank making a perfect household water pressure system.

The JS series offer the following advantages:

- Peace of mind reliability – thanks to the robust design
- Stainless steel casing with excellent corrosion resistance and toughness
- Precision-moulded internals for high performance and reliability
- Self-priming with excellent suction capacity to a maximum depth of 7.6m
- Robust stainless steel base to lift pump above corrosive water on the ground
- Italian made with quality construction
- Loss of prime protection for JSP models, protects pump from failure

MOTOR

- Enclosed fan-cooled motor
- Protection rating IP 44
- Insulation class F
- Single phase power supply with permanently activated capacitor
- Thermal protection incorporated in motor winding
- Continuous duty

APPLICATIONS

- Ideal for installations with below ground water source
- Domestic water supply systems with continuous or intermittent duty
- Small farms and gardening irrigation
- Small scale industrial service
- Pressure boosting
- General water transfer

USAGE DATA

- Type of liquid: clean water without suspended bodies or abrasive material that is non-viscous and chemically neutral
- Maximum liquid temperature: 50°C
- Maximum ambient temperature: 40°C
- Maximum suction depth: 7.6m with foot valve
- Maximum operating pressure: 6 Bar



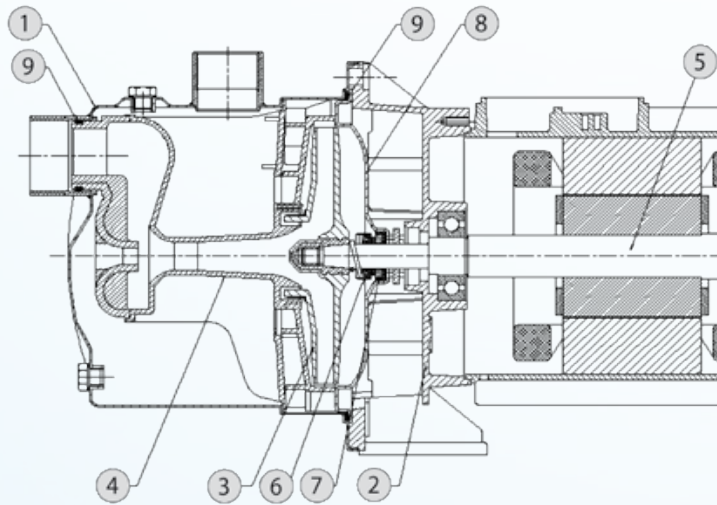
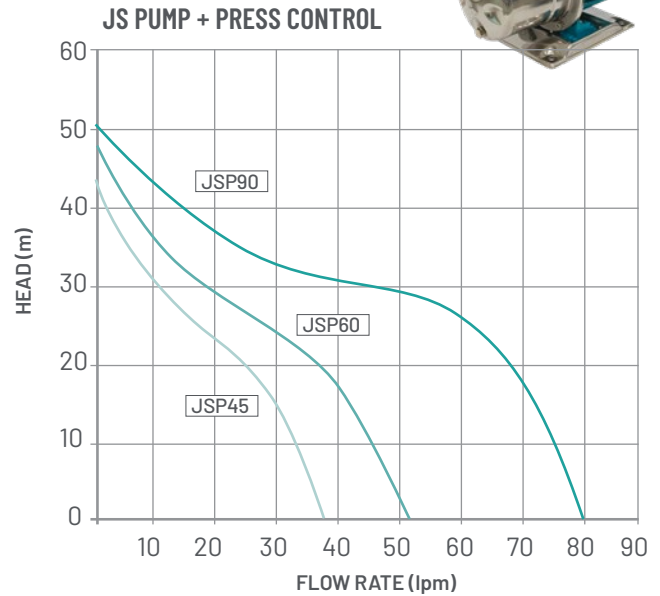
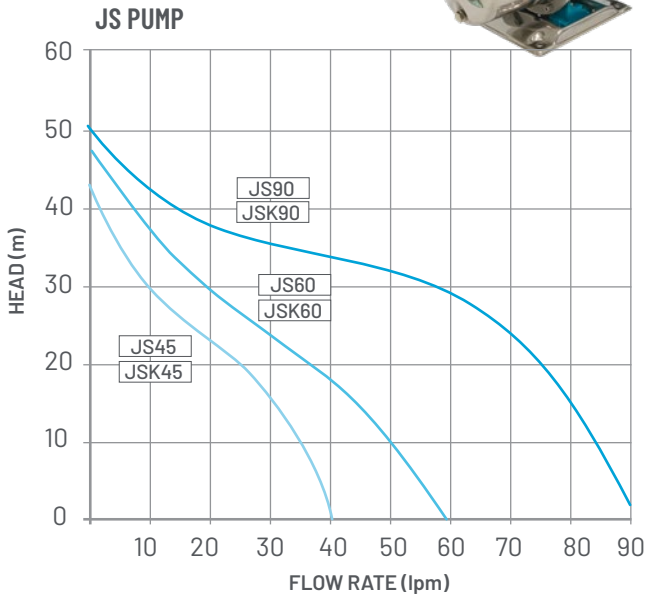


TABLE OF MATERIALS

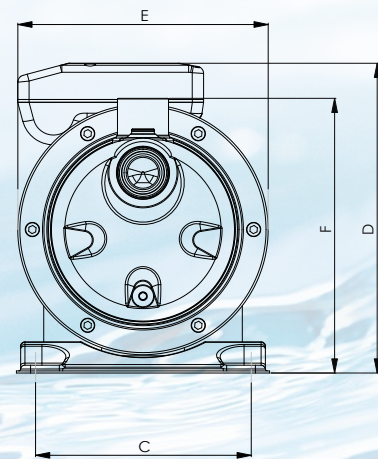
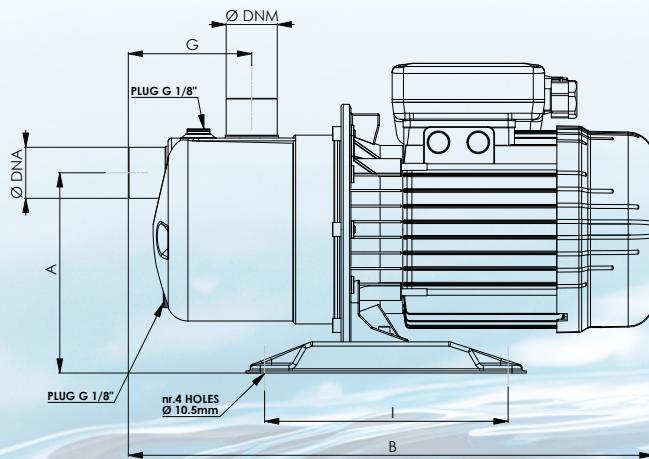
REF.	COMPONENT	MATERIAL
1	PUMP BODY	Stainless steel X5 CrNi 1810 (AISI 304)
2	MOTOR CASING	Die-cast aluminium
3	IMPELLER	Technopolymer with stainless steel shim ring
4	DIFFUSER MONO BLOCK GROUP VENTURI TUBE-NOZZLE	Technopolymer
5	SHAFT	Stainless steel X 12 CrNiS 1809 (AISI 416)
6	MECHANICAL SEAL	Graphite
7	COUNTERFACE	Ceramic
8	SEAL HOLDER PLATE	Technopolymer (JS45 and JS60) Stainless steel X5 CrNi 1810 (AISI 304) JS90
9	GASKETS	NBR 70 Shore

JS SERIES



PERFORMANCE TABLE

PART #	MODEL	Nominal power (P2)		Absorbed power (P1)		Voltage (V)	In (A)	µF	Q	Flow Rate (lpm)								
		HP	kW	HP	kW					0	10	20	30	40	50	60	70	80
JS45	JS 45	0,5	0,37	0,8	0,6	1~230	3	8		0	0,6	1,2	1,8	2,4	3	3,6	4,8	
JS60	JS 60	0,75	0,55	1,1	0,8	1~230	4	12,5	Head (m)	43	30	23	16	1	-	-	-	
JS90	JS 90	1,2	0,9	2,0	1,5	1~230	7	25		46	36	31	26	18	6	-	-	
										50	42	39	37	33	30	27	25	20



OVERALL DIMENSIONS & WEIGHTS

PART #	MODEL	Dimensions mm.										Outlet Height w/ PressControl (mm)	Weight (Kg)
		A	B	C	D	E	F	G	G	DNA	DNM		
JS45	JS 45	141	351	141	210	176.5	194	87	161.5	1" F	1" F	422	7
JS60	JS 60	141	370	141	218	176.5	194	87	161.5	1" F	1" F	422	9
JS90	JS 90	168.5	424	196	241	233	225	98	186.5	1 1/4" M	1" F	453	13



1-21 Monash Drive | Dandenong South, VIC 3175 | Australia | 1300 137 344 | pentair.com.au

Information contained here-in remains the property of Pentair Australia Holdings Pty Ltd under Australian copyright law. Content may not be reproduced or transmitted without our prior written permission.

© 2019 Pentair. All rights reserved. This document is subject to change without notice.