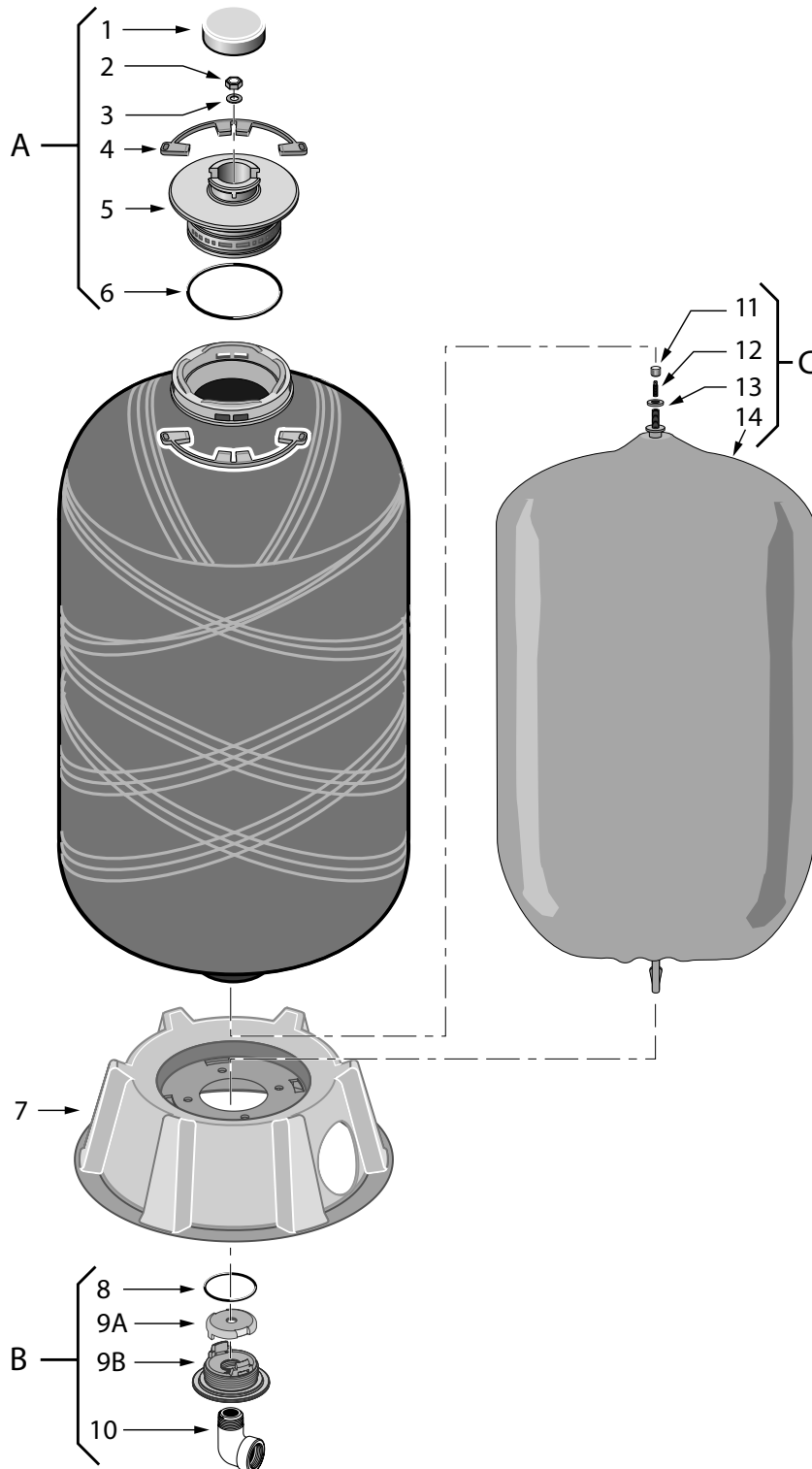


PROSOURCE FW TANKS

PRESSURE TANKS



Drawings are indicative only, product appearance may change slightly.

PARTS LIST TABLE

PROSOURCE FW TANKS

		MODEL	PRO-SOURCE FW TANKS		
		PART NUMBER	ALL MODELS*		
KIT NO.	KIT REFERENCE	REF NO.	COMPONENT DESCRIPTION	PART NUMBER	
A	POLAR BOSS KIT	1	POLAR PIECE CAP	CH20294K	1PC
		2	VALAVE STEM NUT		1PC
		3	WASHER		1PC
		4	C-CLIP		2PC
		5	POLAR BOSS CAP		1PC
		6	ORING		1PC
		7	BASE		1PC
B	ELBOW ADAPTOR KIT	8	ORING	SEE TABLE BELOW	1PC
		9A	ADAPTOR LID		1PC
		9B	ADAPTOR LID		1PC
		10	SS ELBOW		1PC
C	AIR CELL KIT	11	VALVE CAP	SEE TABLE BELOW	1PC
		12	VALVE CORE		1PC
		13	RUBBER WASHER		1PC
		14	AIR CELL		1PC

MODEL	REF. 7 BASE	REF. 10 ELBOW*	REF. B ADAPTOR KIT	REF. C AIR CELL
APSC-14-4-01	CH20364-1	CH21026	CH21084K	CH10836-1K
APSC-20-6-01	CH20364-1	CH21026	CH21084K	CH10865-1K
APSC-30-9-01	CH20364-1	CH21026	CH21084K	CH10866-1K
APSC-48-14-01	CH20343-1	CH21027	CH21085K	CH11161-1K
APSC-60-20-01	CH20343-1	CH21027	CH21085K	CH11160-1K
APSC-85-25-01	CH20343-1	CH21027	CH21085K	CH11159-1K
APSC-119-35-01	CH20343-1	CH21027	CH21085K	CH10829-1K

* Elbow Only: CH21026 = 1"; CH21027 = 1-1/4" BSP

PRESSURE TANKS