

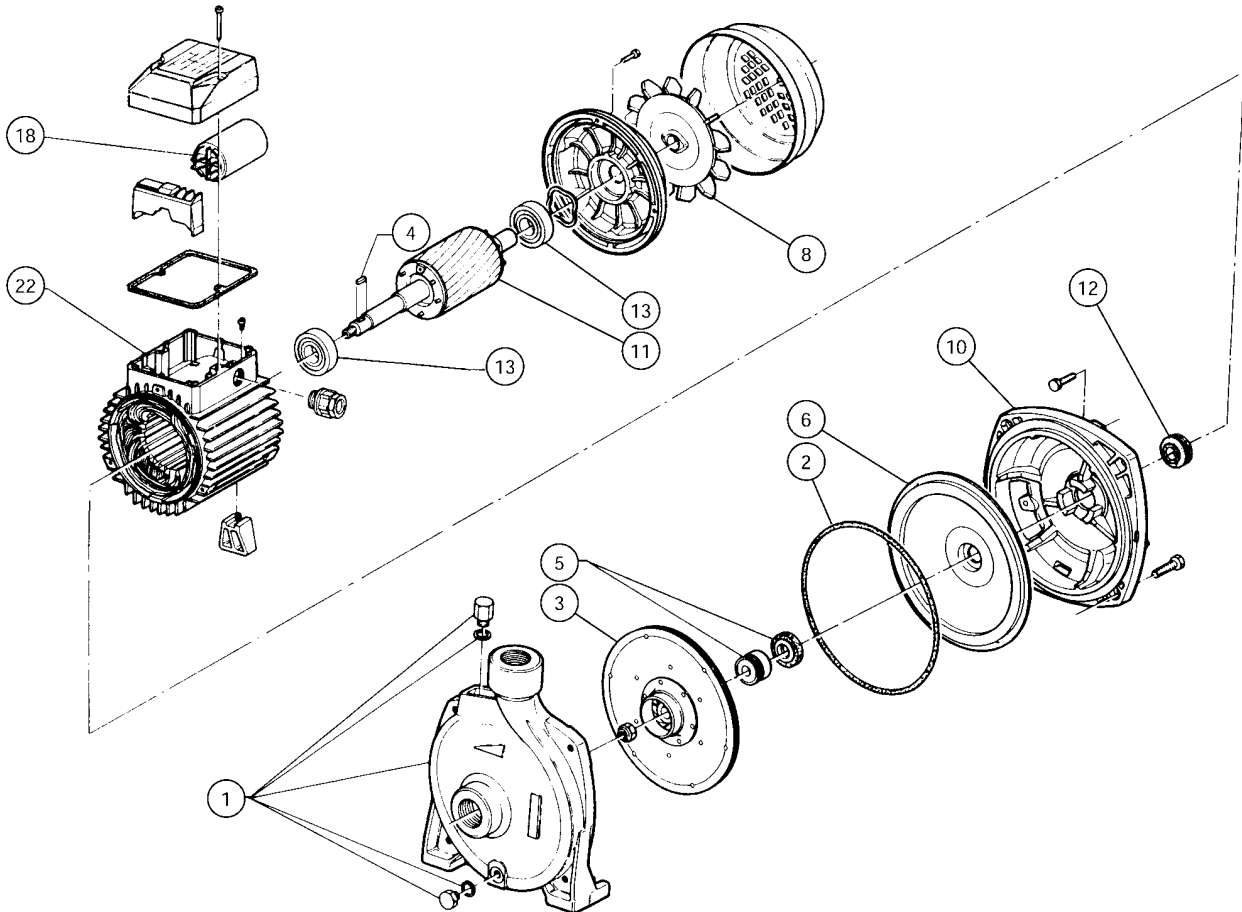


# SECTION INDEX

<b>PRODUCT</b>	<b>PAGE</b>
"SPN" Pressure Units	226
"TQ" Pressure Units	231
"AQ" Pressure Units	234
"CBI" Pressure Units and Transfer Pumps	237
"HBN" Transfer Pumps	239



# SPN090SP TRANSFER PUMP

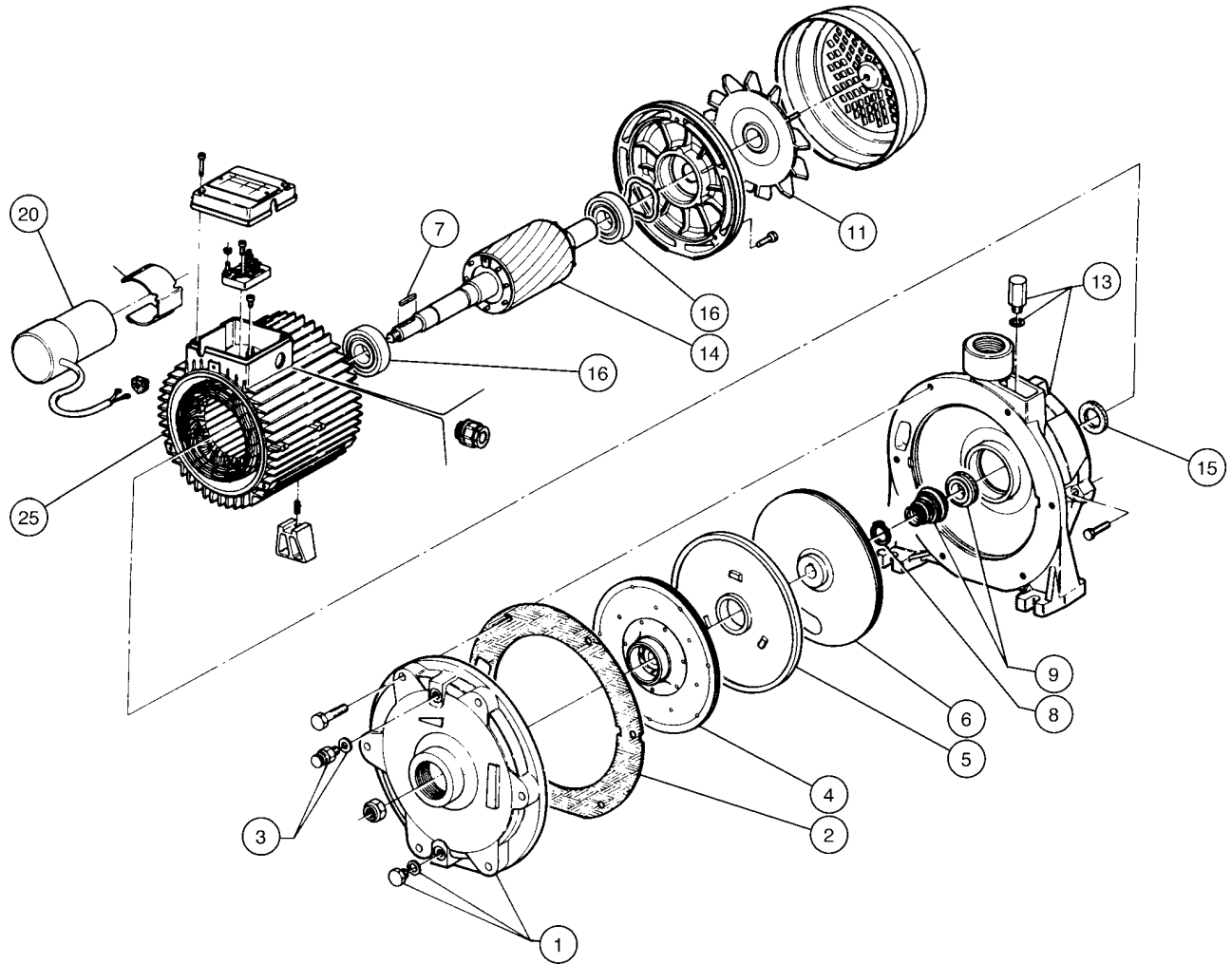


Illus No.	Part No.	Description
1	P851CRCP158	Pump Body
2	P115010	Gasket for Pump Body
3	P862GRCP158	Impeller
4	P114800	Shaft Key
5	P115504	Mechanical Seal
6	P854INJSW2	SS Seal Plate for Pump Body
8	P14VN07	Motor Fan
10	PSC071LN	Motor Bracket
16	2182800	25ft Girt

Illus No.	Part No.	Description
12	P115105	Splash Washer
13	P113002	Ball Bearing
18	P111020F	Capacitor



# SPN100SP TRANSFER PUMP



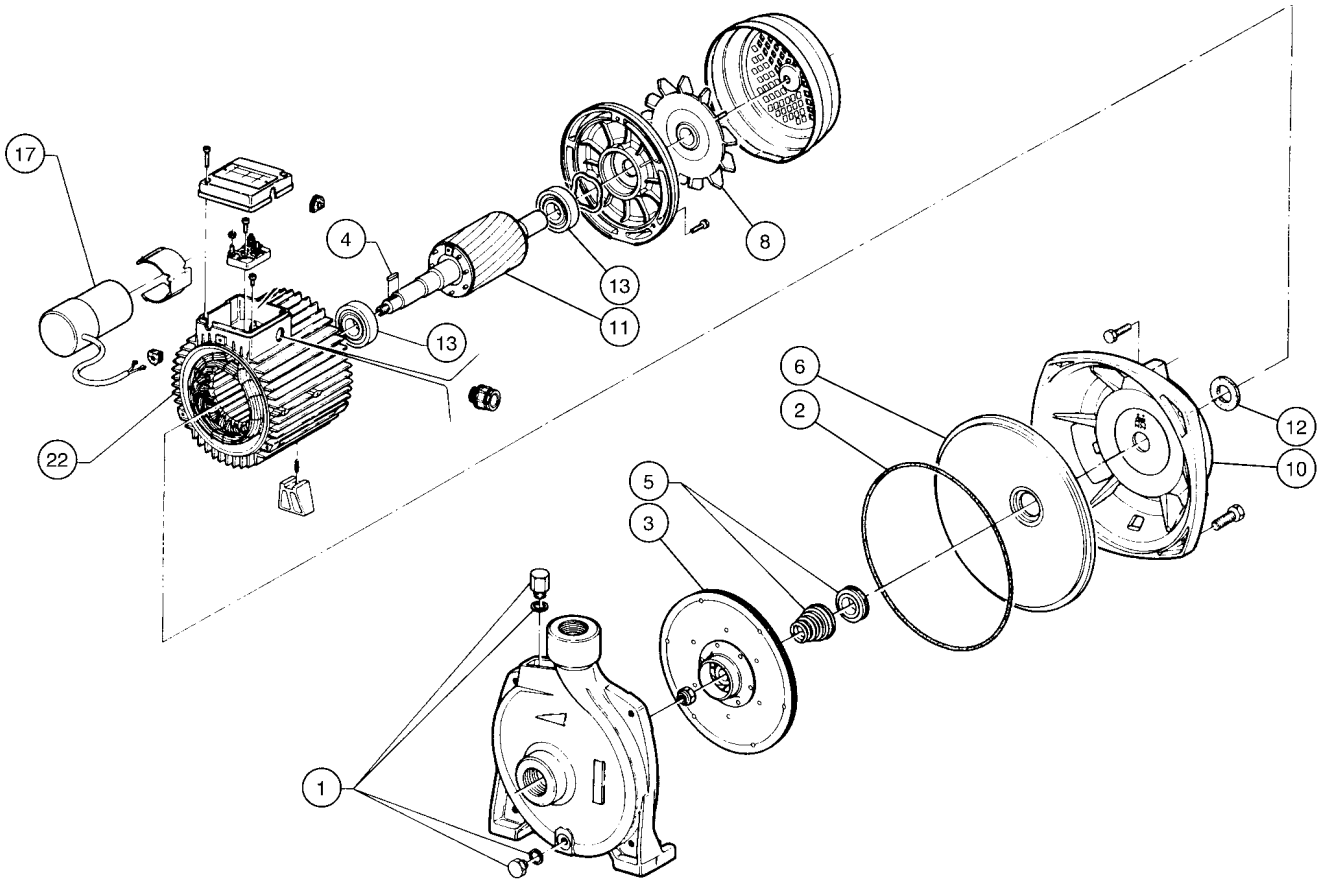
Illus No.	Part No.	Description
1	P853CR2CP25	Pump Body - Suction End
2	P115057	Flat Gasket for Pump Body
3	P119020C	Air Relief Valve
4	P863GR2C16D	Impeller Front
5	P853IN2CP25	Impeller Divider
6	P863GR2C16S	Impeller Rear
7	P114804	Shaft Key
8	P114619	Circlip for Impeller
9	P115502	Mechanical Seal
11	P14VN08	Motor Fan

Illus No.	Part No.	Description
13	P853LN2CP16	Pump Body - Delivery End
15	P115102	Splash Washer
16	P113003	Ball Bearing
20	P111031	Capacitor



**PRESSURE UNITS & TRANSFER PUMPS**

# SPN120SP TRANSFER PUMP

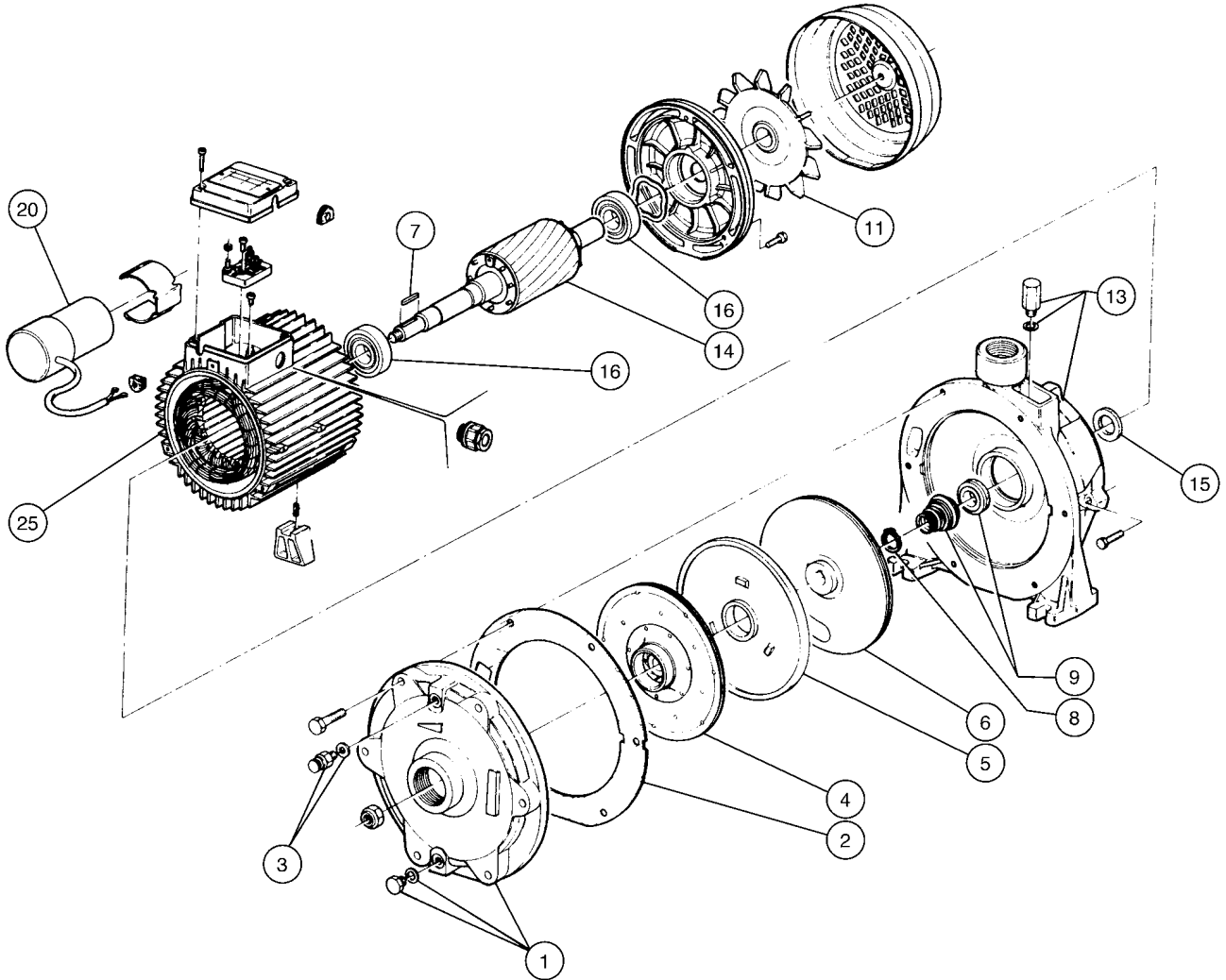


Illus No.	Part No.	Description
1	P851CRCP170	Pump Body
2	P115068	Pump Body Gasket
3	P862GRCP170	Impeller
4	P114806	Shaft Key
5	P115502	Mechanical Seal
6	P859INCP25	SS Seal Plate for Pump Body
8	P14VN08	Motor Fan
10	PSC08LN	Motor Bracket

Illus No.	Part No.	Description
12	P115102	Splash Washer
13	P113003	Ball Bearing
18	P111025	Capacitor



# SPN160SP TRANSFER PUMP

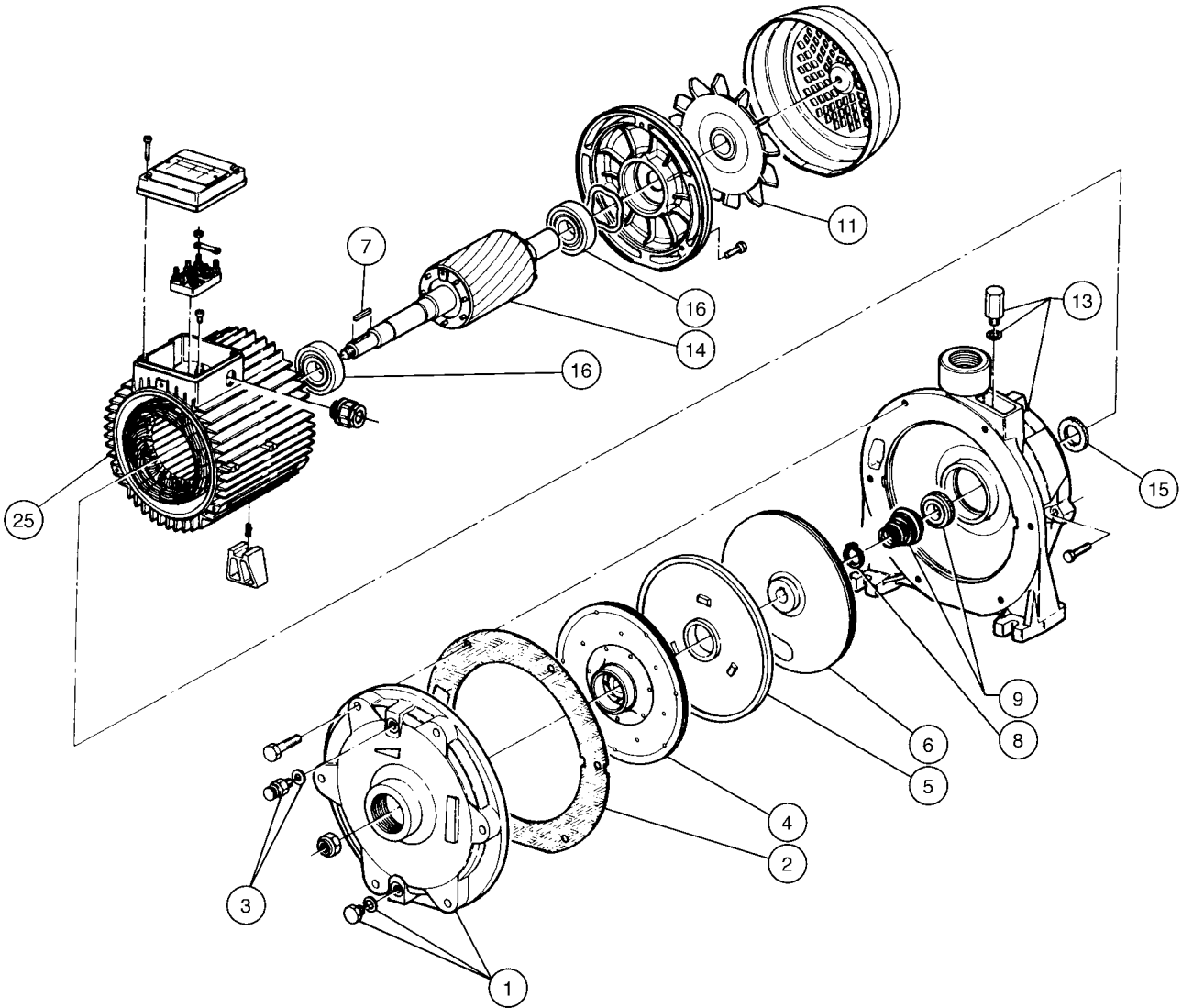


Illus No.	Part No.	Description
1	P853CR2CP25	Pump Body - Suction End
2	P115057	Flat Gasket for Pump Body
3	P119020C	Air Relief Valve
4	P863GR2C24D	Impeller Front
5	P853IN2CP25	Impeller Divider
6	P863GR2C24S	Impeller Rear
7	P114804	Shaft Key
8	P114619	Circlip for Impeller
9	P115502	Mechanical Seal
11	P14VN08	Motor Fan

Illus No.	Part No.	Description
13	P853LN2CP25	Pump Body - Delivery End
15	P115102	Splash Washer
16	P113003	Ball Bearing
20	P111045	Capacitor



# SPN180SP TRANSFER PUMP

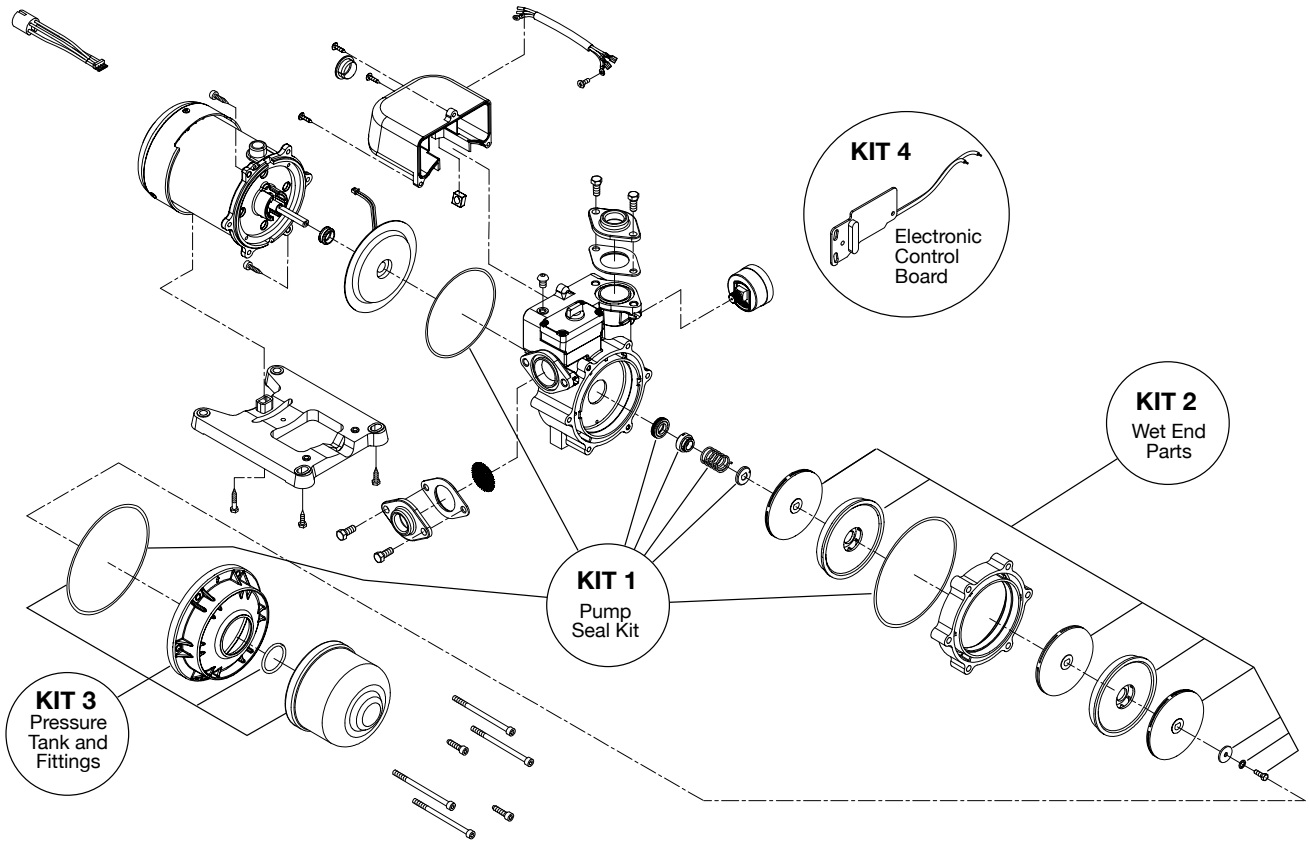


Illus No.	Part No.	Description
1	P853CR2CP26	Pump Body - Suction End
2	P115057	Flat Gasket for Pump Body
3	P119020C	Air Relief Valve
4	P863GR2C25D	Impeller Front
5	P853IN2CP25	Impeller Divider
6	P863GR2C25S	Impeller Rear
7	P114804	Shaft Key
8	P114619	Circlip for Impeller
9	P115502	Mechanical Seal

Illus No.	Part No.	Description
11	P14VN08	Motor Fan
13	P853LN2CP25	Pump Body - Delivery End
15	P115102	Splash Washer
16	P113003	Ball Bearing



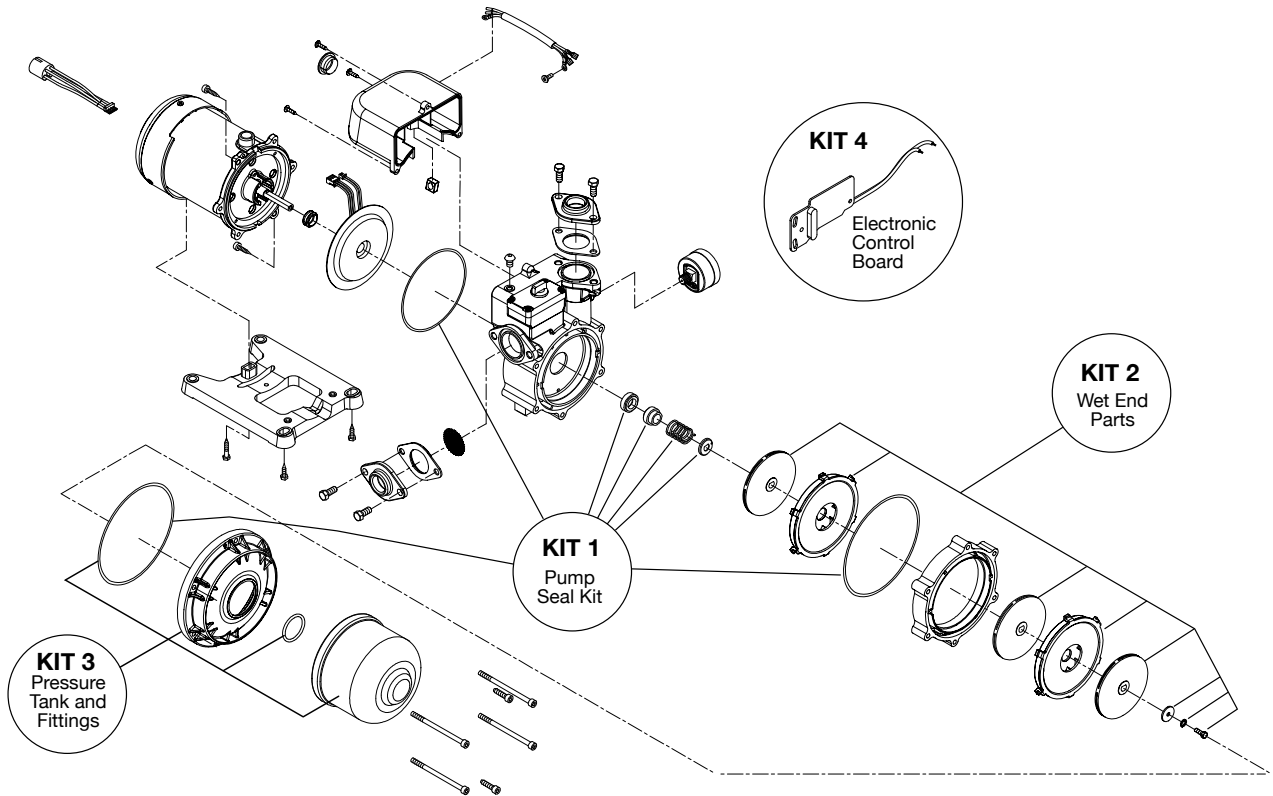
# TQ-200 PRESSURE UNIT



Part No.	Description
TQ200K1	KIT 1 Pump Seal Kit (Including) 1- Seal Plate "O" Ring 1- Mechanical Seal 1- Seal Washer 1- Body "O" Ring 1- Pump End Housing "O" Ring
TQ200K2	KIT 2 Wet End Parts (Including) 1- First Impeller 2- Intermediate Diffuser 2- Impeller 1- Impeller Washer 1- Impeller Spring Washer 1- Impeller Retaining Screw
TQ200K3	KIT 3 Pressure Tank and Fittings (Including) 1- Pump End Housing "O" Ring 1- Pressure Tank Assembly
TQ200K4	KIT 4 Electronic Control Board (Including) 1- Electronic Control Board Assembly



# TQ-400 PRESSURE UNIT

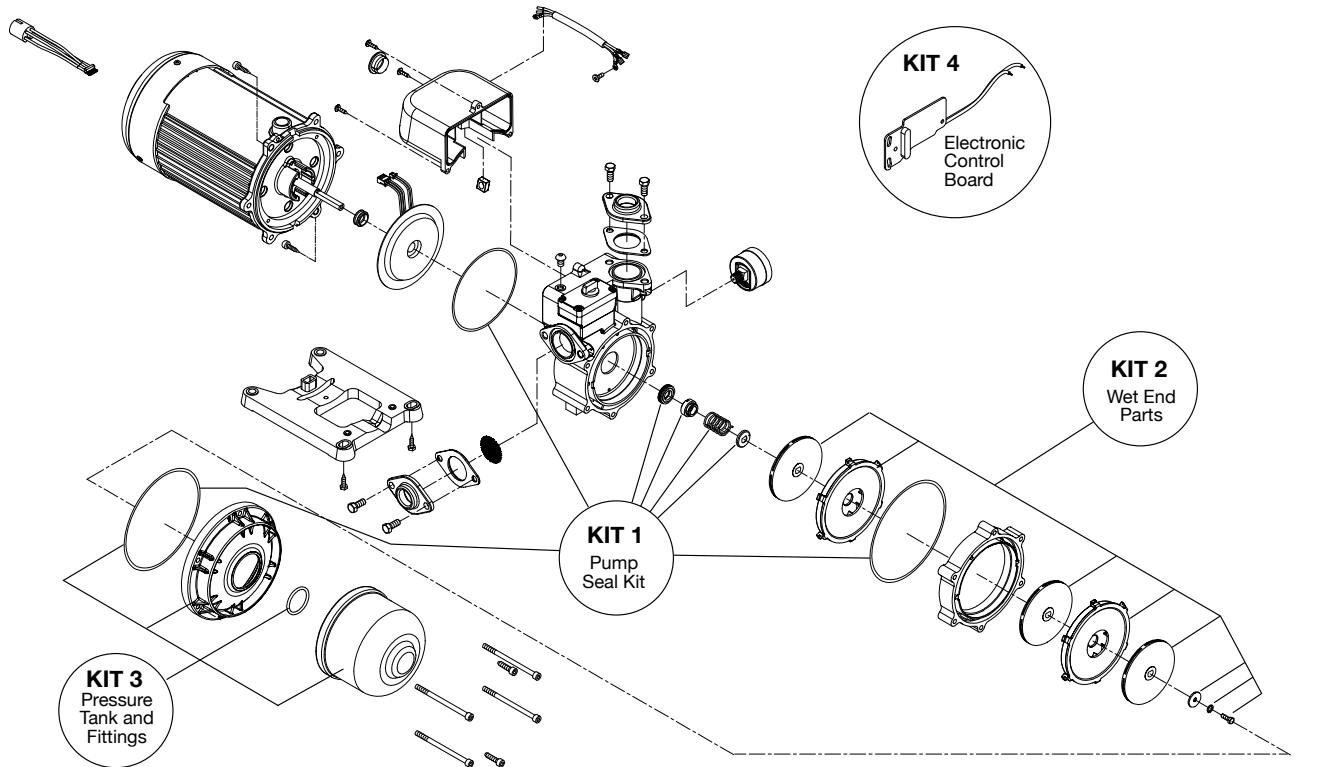


Part No.	Description
TQ400K1	KIT 1 Pump Seal Kit (Including) 1- Seal Plate "O" Ring 1- Mechanical Seal 1- Seal Washer 1- Body "O" Ring 1- Pump End Housing "O" Ring
TQ400K2	KIT 2 Wet End Parts (Including) 1- First Impeller 2- Intermediate Diffuser 2- Impeller 1- Impeller Washer 1- Impeller Spring Washer 1- Impeller Retaining Screw
TQ400K3	KIT 3 Pressure Tank and Fittings (Including) 1- Pump End Housing "O" Ring 1- Pressure Tank Assembly
TQ400K4	KIT 4 Electronic Control Board (Including) 1- Electronic Control Board Assembly





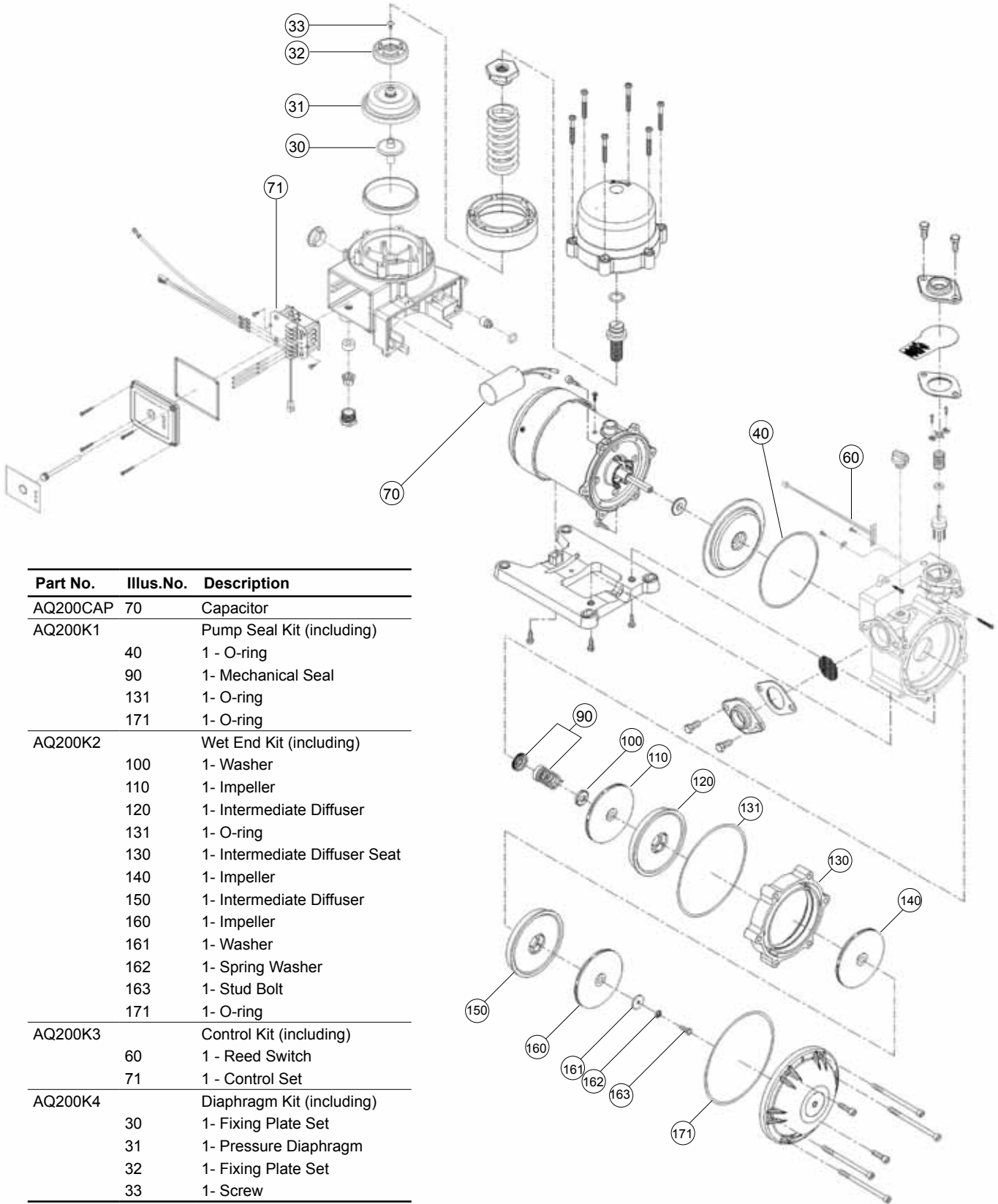
# TQ-800 PRESSURE UNIT



Part No.	Description
TQ400K1	KIT 1 Pump Seal Kit (Including) 1- Seal Plate "O" Ring 1- Mechanical Seal 1- Seal Washer 1- Body "O" Ring 1- Pump End Housing "O" Ring
TQ800K2	KIT 2 Wet End Parts (Including) 1- First Impeller 2- Intermediate Diffuser 2- Impeller 1- Impeller Washer 1- Impeller Spring Washer 1- Impeller Retaining Screw
TQ400K3	KIT 3 Pressure Tank and Fittings (Including) 1- Pump End Housing "O" Ring 1- Pressure Tank Assembly
TQ400K4	KIT 4 Electronic Control Board (Including) 1- Electronic Control Board Assembly



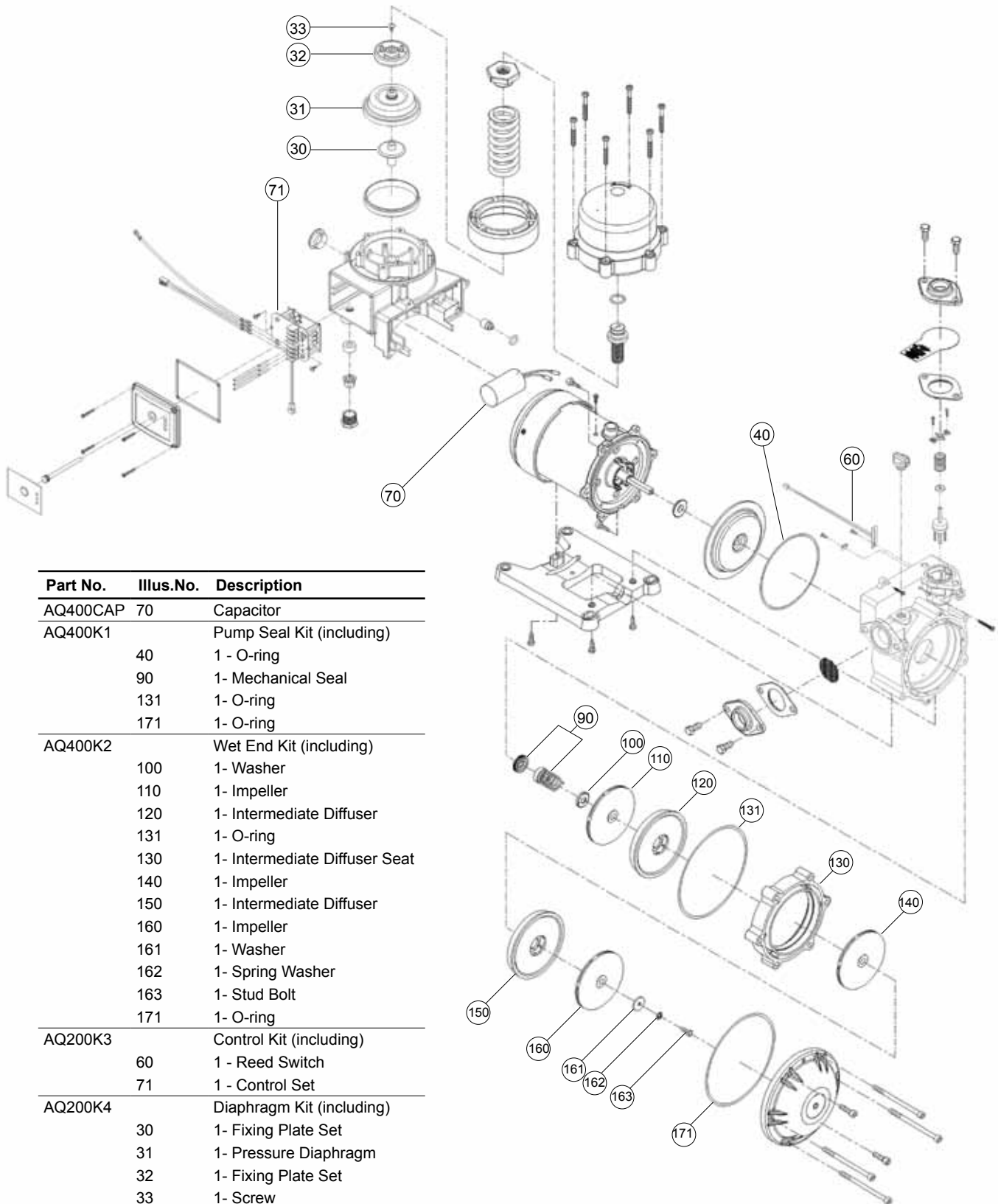
# AQ-200 PRESSURE UNIT



Part No.	Illus.No.	Description
AQ200CAP	70	Capacitor
AQ200K1		Pump Seal Kit (including)
	40	1 - O-ring
	90	1- Mechanical Seal
	131	1- O-ring
	171	1- O-ring
AQ200K2		Wet End Kit (including)
	100	1- Washer
	110	1- Impeller
	120	1- Intermediate Diffuser
	131	1- O-ring
	130	1- Intermediate Diffuser Seat
	140	1- Impeller
	150	1- Intermediate Diffuser
	160	1- Impeller
	161	1- Washer
	162	1- Spring Washer
	163	1- Stud Bolt
	171	1- O-ring
AQ200K3		Control Kit (including)
	60	1 - Reed Switch
	71	1 - Control Set
AQ200K4		Diaphragm Kit (including)
	30	1- Fixing Plate Set
	31	1- Pressure Diaphragm
	32	1- Fixing Plate Set
	33	1- Screw



# AQ-400 PRESSURE UNIT

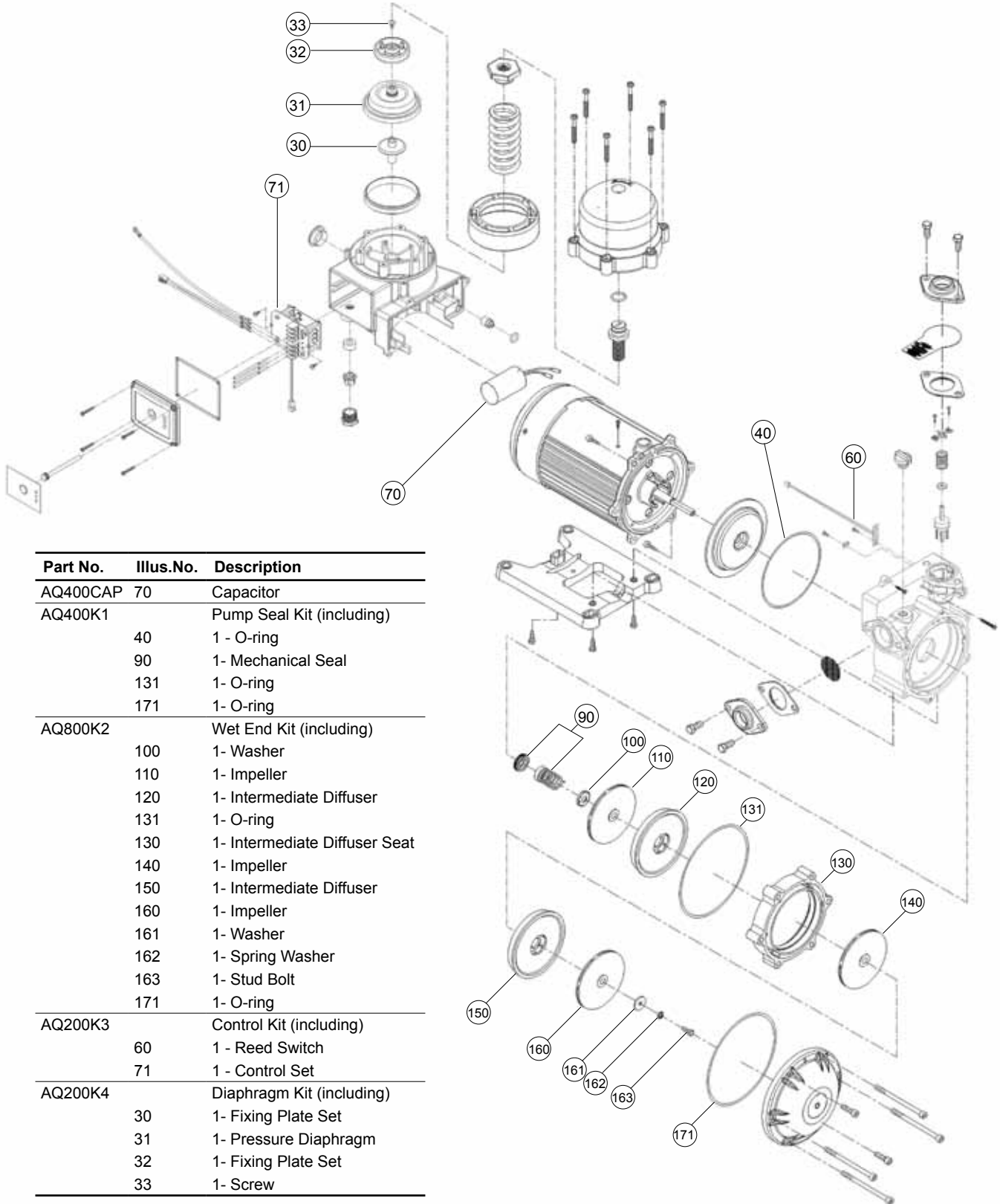


Part No.	Illus.No.	Description
AQ400CAP	70	Capacitor
AQ400K1		Pump Seal Kit (including)
	40	1 - O-ring
	90	1- Mechanical Seal
	131	1- O-ring
	171	1- O-ring
AQ400K2		Wet End Kit (including)
	100	1- Washer
	110	1- Impeller
	120	1- Intermediate Diffuser
	131	1- O-ring
	130	1- Intermediate Diffuser Seat
	140	1- Impeller
	150	1- Intermediate Diffuser
	160	1- Impeller
	161	1- Washer
	162	1- Spring Washer
	163	1- Stud Bolt
	171	1- O-ring
AQ200K3		Control Kit (including)
	60	1 - Reed Switch
	71	1 - Control Set
AQ200K4		Diaphragm Kit (including)
	30	1- Fixing Plate Set
	31	1- Pressure Diaphragm
	32	1- Fixing Plate Set
	33	1- Screw



PRESSURE UNITS & TRANSFER PUMPS

AQ-800 PRESSURE UNIT



Part No.	Illus.No.	Description
AQ400CAP	70	Capacitor
AQ400K1		Pump Seal Kit (including)
	40	1 - O-ring
	90	1 - Mechanical Seal
	131	1 - O-ring
	171	1 - O-ring
AQ800K2		Wet End Kit (including)
	100	1 - Washer
	110	1 - Impeller
	120	1 - Intermediate Diffuser
	131	1 - O-ring
	130	1 - Intermediate Diffuser Seat
	140	1 - Impeller
	150	1 - Intermediate Diffuser
	160	1 - Impeller
	161	1 - Washer
	162	1 - Spring Washer
	163	1 - Stud Bolt
	171	1 - O-ring
AQ200K3		Control Kit (including)
	60	1 - Reed Switch
	71	1 - Control Set
AQ200K4		Diaphragm Kit (including)
	30	1 - Fixing Plate Set
	31	1 - Pressure Diaphragm
	32	1 - Fixing Plate Set
	33	1 - Screw





**PRESSURE UNITS & TRANSFER PUMPS**

# CBI-2/4 PRESSURE UNIT & TRANSFER PUMPS

**CBI 2/4 MECHANICAL SEAL KIT**

(Code CBI2-K1) \*for pumps up to Serial No. 075998560  
(Code CBI2-K1B) \*for pumps above Serial No. 084390000

ILLUS NO.	DESCRIPTION	QTY
57	Mechanical Seal	1
40	Impeller Nut	1
27	Impeller Washer	1
29	Gasket	6

**OVERLOAD SWITCHES**

MOTOR	FOR PUMP MODEL	QTY	KIT CODE
0.75kW	CBI 4-50	1	2238513
1.1kW	CBI 4-60	1	2238514

**CAPACITOR KITS**

CAPACITOR	FOR PUMP MODEL	QTY	KIT CODE
0.37kW - 10µ	CBI 2-20/30/40 & CBI 4-20/30	1	CBI-CAP10
0.55kW - 16µ	CBI 2-50/60 & CBI4-40	1	CBI-CAP16
0.75 - 25µ	CBI 4-50	1	CBI-CAP25
1.1kW - 25µ	CBI 4-60	1	CBI-CAP25A

**CBI 2 IMPELLER KIT Code CBI2-K2**

ILLUS NO.	DESCRIPTION	QTY
18	Impeller	1
29	Gasket	1

**CBI 4 IMPELLER KIT Code CBI4-K2**

ILLUS NO.	DESCRIPTION	QTY
18	Impeller	1
29	Gasket	1

**CBI 2 BEARING/SPACER KIT Code CBI2-K3**

ILLUS NO.	DESCRIPTION	QTY
14	Bearing	1
42A	Bearing Spacer (4.5mm)	1
42	Impeller Spacer (17.5mm)	4

**CBI 4 BEARING/SPACER KIT Code CBI4-K3**

ILLUS NO.	DESCRIPTION	QTY
14	Bearing	1
42A	Bearing Spacer (13mm)	1
42	Impeller Spacer (26mm)	3
42B	Discharge Impeller Spacer (28.5mm)	1

**CBI 2 BASIC DIFFUSER KIT**

Code CBI2-K4

ILLUS NO.	DESCRIPTION	QTY
13	Diffuser with Bearing	1
12	Diffuser	1
29	Gasket	2

**CBI 4 BASIC DIFFUSER KIT**

Code CBI4-K4

ILLUS NO.	DESCRIPTION	QTY
13	Diffuser with Bearing	1
12	Diffuser	1
29	Gasket	2

**CBI 2 INTERMEDIATE DIFFUSER KIT**

Code CBI2-K5

ILLUS NO.	DESCRIPTION	QTY
12	Diffuser	1
29	Gasket	1

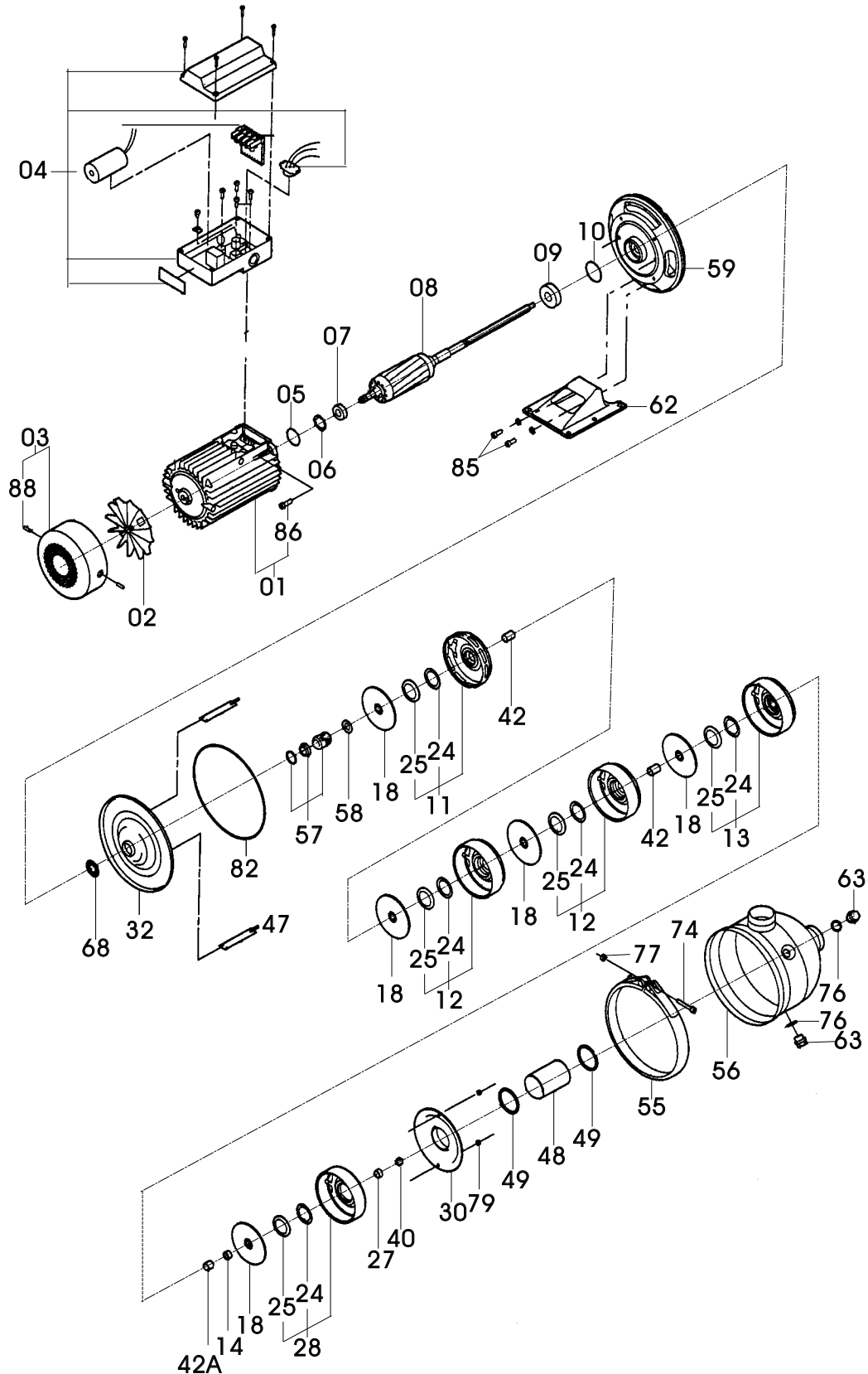
**CBI 4 INTERMEDIATE DIFFUSER KIT**

Code CBI4-K5

ILLUS NO.	DESCRIPTION	QTY
12	Diffuser	1
29	Gasket	1



# HBN-2/4 TRANSFER PUMPS





**PRESSURE UNITS & TRANSFER PUMPS**

# HBN-2/4 TRANSFER PUMPS

### HBN 2/4 MECHANICAL SEAL KIT

*Code HBN2-K1*

ILLUS NO.	DESCRIPTION	QTY
57	Mechanical Seal	1
40	Impeller Nut	1
27	Impeller Washer	1
82	O-ring	1

### CAPACITOR KITS

CAPACITOR	FOR PUMP MODEL	QTY	KIT CODE
0.37kW - 10µ	HBN 2-20/30/40 & HBN 4-20/30	1	HBN-CAP10
0.55kW - 16µ	HBN 2-50/60	1	HBN-CAP16
0.55/0.75kW - 20µ	HBN 4-40/50	1	HBN-CAP20
1.1kW - 25µ	HBN 4-60	1	HBN-CAP25

### HBN 2 IMPELLER KIT *Code HBN2-K2*

ILLUS NO.	DESCRIPTION	QTY
18	Impeller	1

### HBN 4 IMPELLER KIT *Code HBN4-K2*

ILLUS NO.	DESCRIPTION	QTY
18	Impeller	1

### HBN 2/4 BEARING/SPACER KIT *Code HBN2-K3*

ILLUS NO.	DESCRIPTION	QTY
14	Bearing	1
42A	Bearing Spacer (4.5mm)	1
42	Impeller Spacer (17.5mm)	4

### HBN 2/4 BASIC DIFFUSER KIT *Code HBN2-K4*

ILLUS NO.	DESCRIPTION	QTY
11	Discharge Diffuser	1
13	Intermediate Diffuser with Bearing	1
28	Suction Diffuser	1
49	O-ring	2
79	Lock Nut	2
30	Suction Plate	1

### HBN 2/4 INTERMEDIATE DIFFUSER KIT

*Code HBN2-K5*

ILLUS NO.	DESCRIPTION	QTY
12	Intermediate Diffuser	1





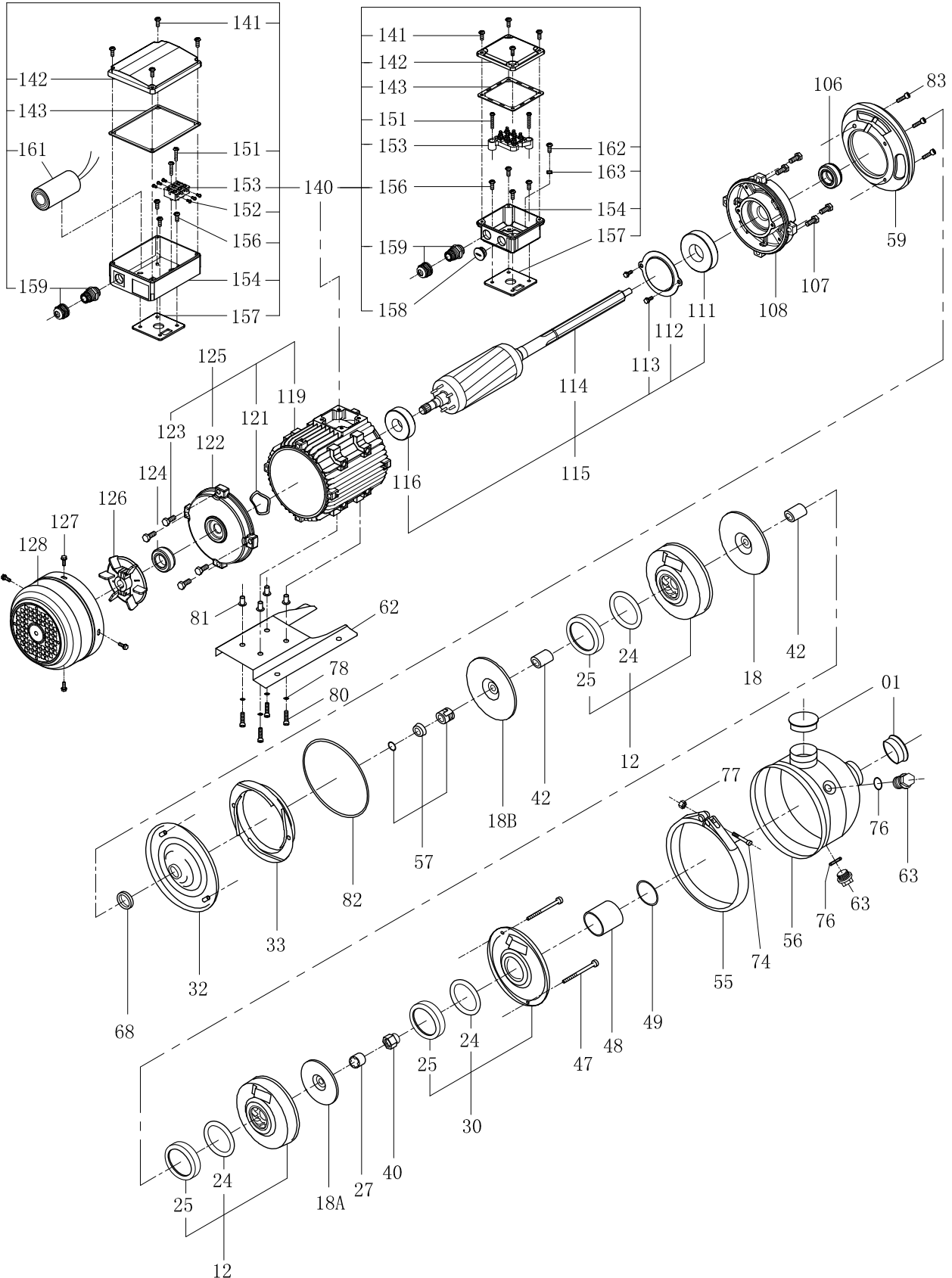


PRESSURE UNITS & TRANSFER PUMPS

# HBN-8/12 TRANSFER PUMPS (1.5kW - 3kW)

Single Phase

Three Phase





**PRESSURE UNITS & TRANSFER PUMPS**

# HBN-8/12 TRANSFER PUMPS

**HBN 8/12 MECHANICAL SEAL KIT**

*Code HBN8-K1*

ILLUS NO.	DESCRIPTION	QTY
57	Mechanical Seal	1
40	Impeller Nut	1
27	Impeller Washer	1
82	O-ring (EPDM)	1

**HBN 8/12 MECHANICAL SEAL KIT (VITON)**

*Code HBN8-K1V*

ILLUS NO.	DESCRIPTION	QTY
57	Mechanical Seal	1
40	Impeller Nut	1
27	Impeller Washer	1
82	O-ring (Viton)	1

**CAPACITOR KITS**

CAPACITOR	FOR PUMP MODEL	QTY	KIT CODE
0.55kW - 16µ	HBN	1	HBN-CAP16
0.55/0.75kW - 20µ	HBN	1	HBN-CAP20
1.1kW - 25µ	HBN	1	HBN-CAP25

**HBN 8 IMPELLER KIT** *Code HBN8-K2*

ILLUS NO.	DESCRIPTION	QTY
18	Impeller	1

**HBN 12 IMPELLER KIT** *Code HBN12-K2*

ILLUS NO.	DESCRIPTION	QTY
18	Impeller	1

**HBN 8 IMPELLER KIT** *Code HBN8-K2A*

ILLUS NO.	DESCRIPTION	QTY
18	Impeller	1

**HBN 8 IMPELLER KIT** *Code HBN8-K2B*

ILLUS NO.	DESCRIPTION	QTY
18	Impeller	1

**HBN 12 IMPELLER KIT** *Code HBN12-K2B*

ILLUS NO.	DESCRIPTION	QTY
18	Impeller	1

**HBN 8/12 SPACER KIT** *Code HBN8-K3*

ILLUS NO.	DESCRIPTION	QTY
42	Spacer	4

**HBN 8/12 DIFFUSER KIT** *Code HBN8-K4*

ILLUS NO.	DESCRIPTION	QTY
12	Diffuser with Bearing	1
49	O-ring	2
79	Lock Nut	2
30	Suction Plate	1